
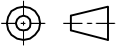


SOURCE DRAWING - FOR REFERENCE ONLY

NOTE: CONDUIT ADAPTER FOR USE WITH "M" AND "S" SLYLE BARREL SENSORS.

RELATED DOCUMENTS		3RD ANGLE PROJECTION		THIS DRAWING IS CONFIDENTIAL AND THE PROPERTY OF TURCK INC. USE OF THIS DOCUMENT WITHOUT WRITTEN PERMISSION IS PROHIBITED.		 3000 CAMPUS DRIVE MINNEAPOLIS, MN 55441 1-800-544-7769 (763) 553-7300 (763) 553-0708 fax www.turck.us	
1. 2. 3. 4.				DRFT IK	DATE 03/28/01	DESCRIPTION TMF 18-MS*	
MATERIAL ALUMINUM		ALL DIMENSIONS DISPLAYED ON THIS DRAWING ARE FOR REFERENCE ONLY		DSGN	SCALE 1=1.0	IDENTIFICATION NO. A3330	
FINISH CLEAR IRRIDITE		CONTACT TURCK FOR MORE INFORMATION		UNIT OF MEASUREMENT INCH [MILLIMETER]		REV A	
A CHANGE INTO SEPARATE DRAWINGS		IK 03/29/01 T4469		DO NOT SCALE THIS DRAWING		FILE: A3330	
REV	DESCRIPTION	BY	DATE	ECO NO.	SHEET 1 OF 1		

A	CHANGE INTO SEPARATE DRAWINGS	IK	03/29/01	T4469
REV	DESCRIPTION	BY	DATE	ECO NO.